

BALWYN BLAZERS APPAREL

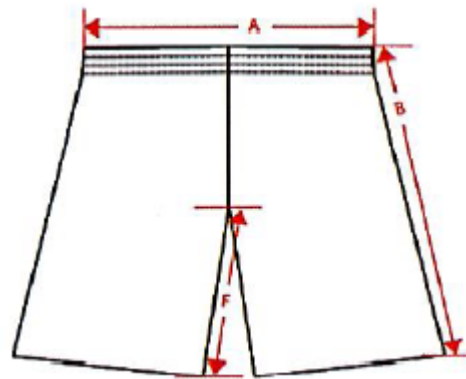
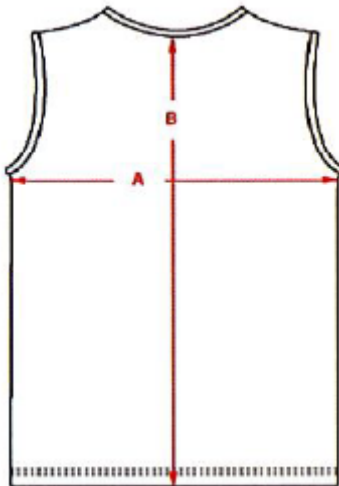
SIZE SPECIFICATIONS

HOW TO MEASURE:

Chest: Measure tight under the arms across the fullest part of the chest, making sure the tape is well up at the back over the shoulder blades.

If in doubt, choose the next size larger.

BACK VIEW OF GARMENT



REVERSIBLE SINGLET Measurements in CM

SIZE	8C	10C	12C	14C	16/S	18/M	20/ L	22/XL	24/2XL
Chest	75	80	85	90	95	100	105	110	115
1/2 Chest (A)	42	44	46	48	50	52.5	55	57.5	60
Length (B)	56	58	60	63	65	68	71	74	77

SHORTS Measurements in CM

SIZE	8C/ 4XS	10C/ 3XS	12C/ 2XS	14C/ XS	16/S	18/M	20/L	22/XL	24/2XL
To fit Waist	61	65	69	73	77	81	85	89	93
1/2 Waist (A)	28	30	32	34	36	38	40	42	44
Inside Leg (F)	19.2	19.5	19.7	20	22	22.6	23.3	24	24.7
Length (B)	42	43	44	45	50.5	52	53.5	55	56.5

HOODIE Measurements in CM

SIZE	10C	12C	14C	S	M	L	XL	2XL	3XL
1/2 Chest (A)	48	51	54	58	60.5	63	65.5	68	70.5
Length (B)	58	62	66	68	70	72	74	76	78